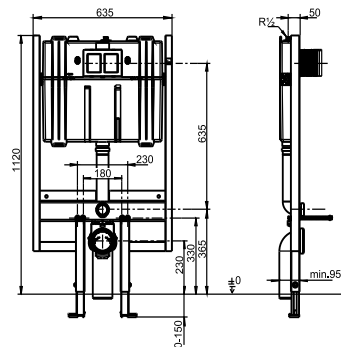


90.804.00..0000

SANIT WC element INEO 80 PLUS 1120/635



Item number

90.804.00..0000

Product description

WC element INEO 80 PLUS for wall-hung WC, with mounting distance 180/230 mm, with small access opening, front operated, h/w/d: 1,120/635/95 mm, self-supporting, powder-coated steel frame, installation on a solid wall, in drywall constructions, 4-point fastening, rotating base plate, compatible with profile UW 50 and 75 mm, adjustment range of feet from unfinished floor level to upper edge of finished floor level: 0-150 mm, adjustment range front to wall: 95-170 mm, SANIT concealed cistern with insulation against condensation (CC-80-S-FO-2V-2C), with dual flush (6-4.5 /3-2 l), factory setting 6 and 3 litres, SANIT fill valve Noise Class I, angle valve connection set R1/2, mounting clip for drain bend adjustable in 4 positions, PE WC connection bend 90° d:90, with PE transition sleeve d:90/110 mm, with protection cap for flush pipe WC connection kit d:90 and 45 mm, protection box for access opening can be cut to size, 2 M12 WC retaining bolts, with mounting material and installation instructions, packed in a box Concealed cistern tested to DIN EN 14055, Noise Class I, KIWA Accessories:

- WC flush actuators (except: LIS and SWING) -sound absorbing sets -WC connectors (double bend, offset connection bend, etc.)