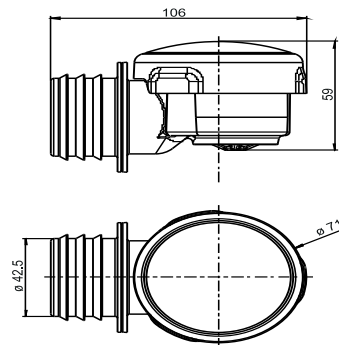


11.031.00..0099

SANIT ventilair Air adm.valve DN 40



Item number

11.031.00..0099

Product description

Air-admittance valve DN 30-50 for horizontal connection
type-tested and monitored in accordance with DIN EN 12380, type class A I, volume flow 8 l/sec, temperature range -20 degC to +60 degC, with rubber connector for the dimensions stated