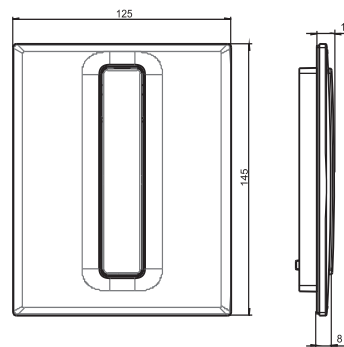


16.090.93..0000

SANIT Urinal cover plate Ineo Bright matt chrome



Item number

16.090.93..0000

Product description

Urinal cover plate INEO BRIGHT for hand-operated urinal cartridge valve technology pneumatic concealed flush plate, independent of water pressure, finishing set l/w/h: 124x145x10 mm, consisting of actuator element incl. chromed decorative frame, cover plate, pressure pin and fastening, pneumatic urinal cartridge valve with male thread 29x2 mm, cartridge filter, maximum operating pressure 10 bar, flow pressure 1-6 bar, according to DIN EN 12541, Noise Class I <20 dB(A), infinitely adjustable, flushing time 4-20 sec, including fastenings, packed in a box Material/colour: plastic / matt chrome