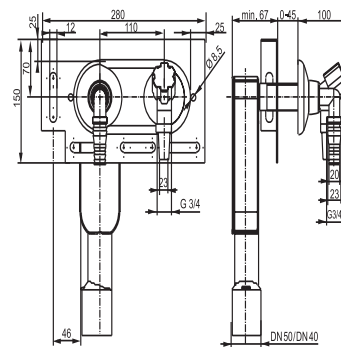


31.606.00..0000

SANIT Conc. trap with water inlet DN15



Item number

31.606.00..0000

Product description

In-wall trap for washing machines and dishwashers with water inlet DN 15 for vertical or horizontal installation in pre-wall elements 995, in drywall constructions, for slot installation, as well as for direct installation onto a wall at an angle of 90deg, all visible parts polished chrome, galvanised steel traverse, with SANIT in-wall trap for washing machines and dishwashers G 3/4-G 1x40/50, with hose union tap DN 15 incl. air admittance valve, backflow preventer and hose screw joint G 3/4, with fastening set, packed in a box

tested to DIN 19541