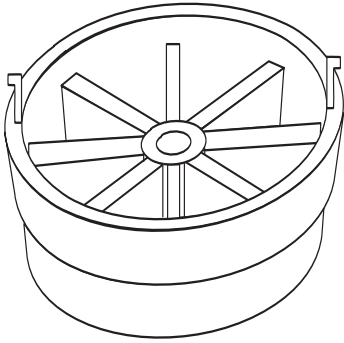


04.174.00..0000

SANIT Flow regulator for conc and exp use



Item number

04.174.00..0000

Product description