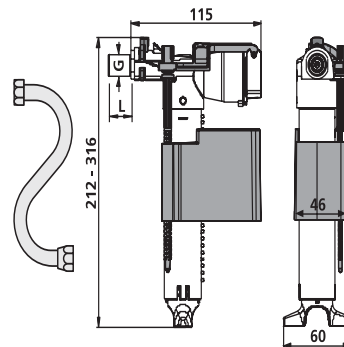
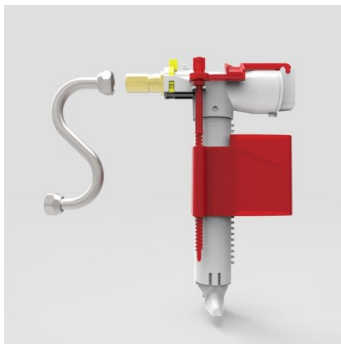


25.001.00..S000

SANIT Universal fill valve 510 (multiflow) with Z pipe



Item number

25.001.00..S000

Product description

Universal fill valve 510 (multiflow) with Z pipe

size: G 3/8 x 30

small, compact construction, rapid filling rate of 3.6 l/min at 0.5 bar flow pressure, quick closing, extremely quiet, only 13 dB(A)(Noise Class I), easy to install and maintain due to simple snap and plug connections, brass connecting parts, adjustable flush water volume controlled via continuously variable float, with telescopic pipe, with Z pipe and screw connection for concealed cisterns, packed in a plastic bag

tested to DIN EN 14124, KIWA and NF, SVGW certified