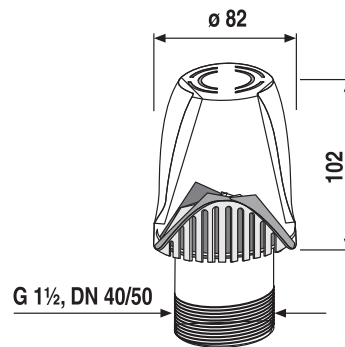


11.027.00..S099

SANIT ventilair two-way vent valve G1 1/2



Item number

11.027.00..S099

Product description

ventilair duplex two-way vent valve G1 1/2 suitable for DN 40/50
volume flow 8 l/s, temperature range -20degC to +60degC, with activated carbon filter, polystyrene frost protection cover

Notes:

ventilair duplex two-way vent valves are subjected to regular internal testing in accordance with DIN EN 12380. They do not comply with the standards DIN 1986-100 and DIN EN 12056-2, thus installation should be governed by a contractual agreement.