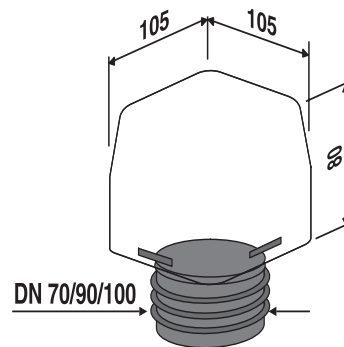


11.A24.00..0099

SANIT ventilair active DN 70-100



Item number

11.A24.00..0099

Product description

ventilair active suitable for DN 70/90/100

for accessible external areas for filtering gases arising in domestic sewage systems, toilet lifting systems, existing open vents, e.g. oil tanks, septic tanks, etc., with activated carbon filter monitored by TÜV Rheinland LGA Products GmbH, air flow volume at 250 PA = 3.33 l/s = 12 m³/h, frost resistant to -20degC in accordance with DIN EN 12380, UV light resistant plastic cover, with rubber connector for use in unpressurised applications