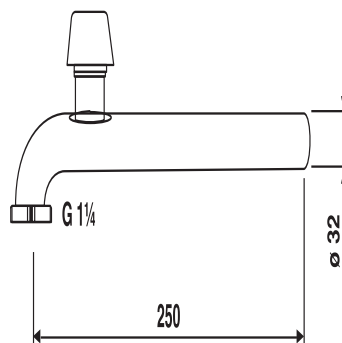


03.091.00..0000

SANIT Waste bend with Air adm.valve G1 1/4x32



Item number

03.091.00..0000

Product description

Waste bend 90deg for the ventilation of individual objects
L = 250 mm, d:32 mm, with G1 1/4 cap nut, chrome-plated brass, with high-gloss chrome-plated G 1/2 air admittance valve, tested to DIN EN 12380, type class A II, volume flow 2 l/s, temperature range 0degC to + 60degC