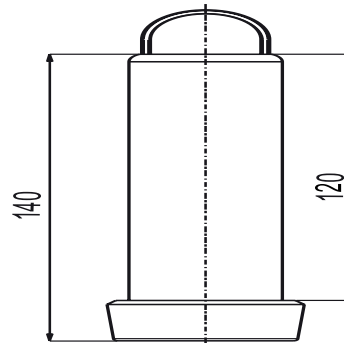


03.250.00..0000

SANIT Standpipe G1 1/2 with handle L:140 OH:120



Item number

03.250.00..0000

Product description

Standpipe G1 1/2 with handle and rubber joint, size: L/OH - 140/120 mm
brushed stainless steel, for commercial sinks with a minimum sink hole diameter of 52 mm, can be combined with waste valve code no. 30.909.00..0000, for finishing set code no. 03.514.**..0000, packed in a plastic bag