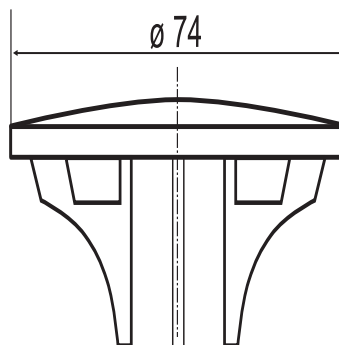


02.567.81..0000

SANIT Cover for functional unit 821/50F, chrome



Item number

02.567.81..0000

Product description

Cover, chrome
for functional unit 821/50F, packed in a plastic bag