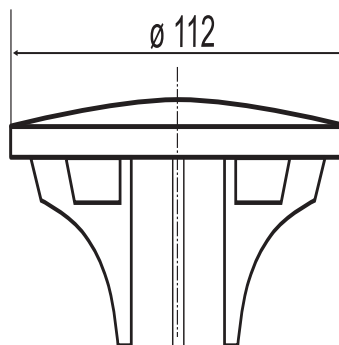


02.566.81..0000

SANIT Cover for functional unit 821/90TA, chrome



Item number

02.566.81..0000

Product description

Cover, chrome
for functional unit 821/90TA with dripping water connection, packed in a plastic bag