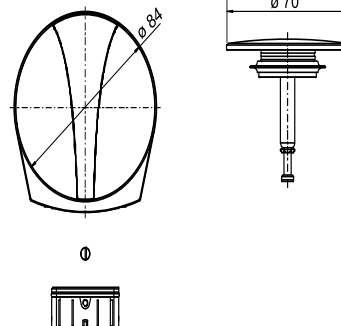
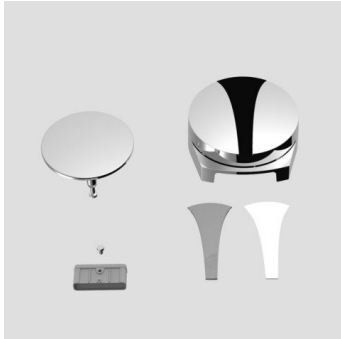


05.036.81..0000

## SANIT Operating unit for waste + overflow assembly SWING PLUS, chrome



### Item number

05.036.81..0000

### Product description

Operating unit for SWING PLUS functional unit, chrome consisting of operating unit (with returnable rotary knob), incl. 3 design elements in colors alpine-white, matt chrome and black RAL 9005 and valve plug, with rectangular aerator flow rate class C, packed in a box