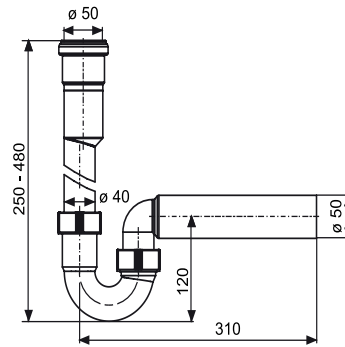


31.801.00..0000

SANIT Trap DN50 for shower channel vertical



Item number

31.801.00..0000

Product description

Trap DN 50
for shower channel ES 50 with vertical waste outlet, plastic, with connection pipe DN 50 and waste outlet pipe d:50,
packed in a plastic bag