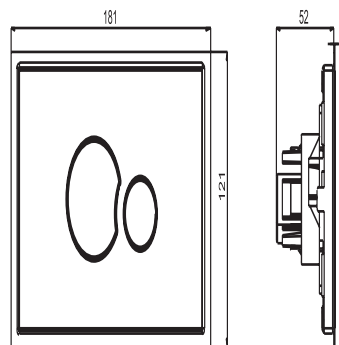
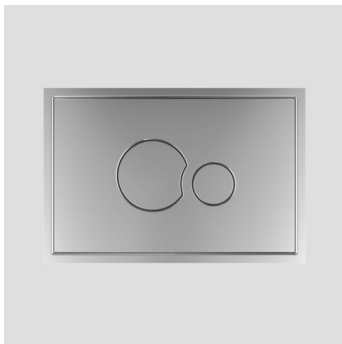


16.726.81..0000

## SANIT Push plate SK706 plastic chrome



### Item number

16.726.81..0000

### Product description

Push plate SG 706, flush mounted

l/w/h: 181/121/1 mm, plastic, for concealed cisterns with small access opening, dual flush, consisting of actuator frame, push buttons, polished stainless steel frame and fixing bolts, packed in a box

Material/colour: plastic/chrome

#### Accessories:

- WC retrofit blind frame 10 mm, polished stainless steel code no. 04.067.00..0000