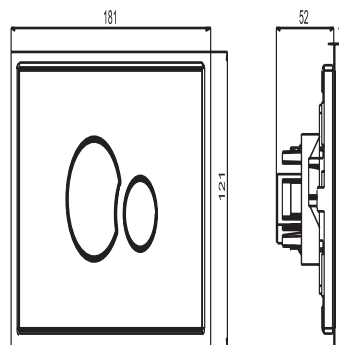


16.732.00..0000

SANIT Push plate SE706 stainless steel



Item number

16.732.00..0000

Product description

Push plate SE 706, flush mounted

l/w/h: 181/121/1 mm, brushed stainless steel, for concealed cisterns with small access opening, dual flush, consisting of actuator frame, push buttons, brushed stainless steel frame and fixing bolts, packed in a box

Accessories:

- WC retrofit blind frame 10 mm, polished stainless steel code no. 04.067.00..0000