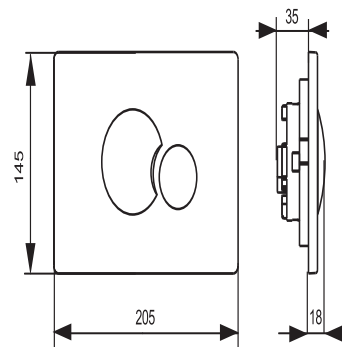
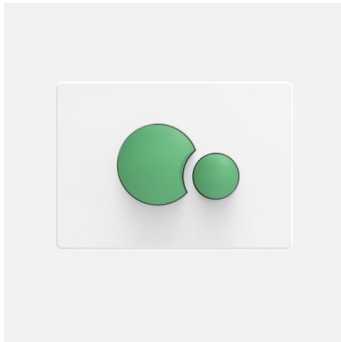


16.706.L6..K000

## SANIT Push plate S706 nurseries white/green



### Item number

16.706.L6..K000

### Product description

Push plate S 706 for nursery schools

l/w/h: 205/145/18 mm, plastic, for concealed cisterns with small access opening, dual flush, consisting of actuator frame, push buttons, support bracket and fixing bolts, packed in a box

Material/colour:

frame: plastic/alpine white, pair of buttons: plastic/green RAL 6032