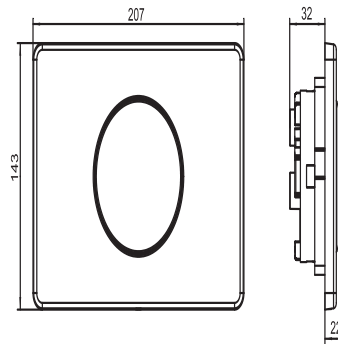
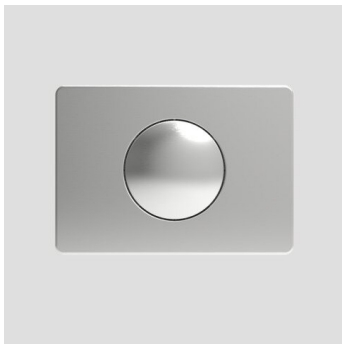


16.704.00..0000

SANIT Push plate S704 stainless steel



Item number

16.704.00..0000

Product description

Push plate S 704 with security screw

I/w/h: 207/143/22 mm, brushed stainless steel, for concealed cisterns with small access opening, single flush, consisting of actuator frame, push buttons, support bracket and fixing bolts, packed in a box

Accessories:

- battery compartment Code No. 03.161.00..0000