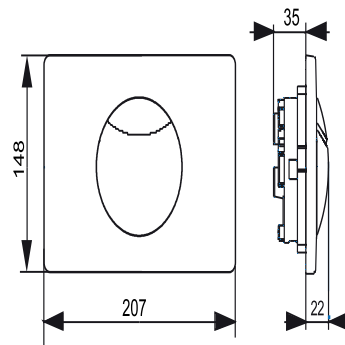


16.703.00..S000

SANIT Push plate S703 stainless steel with security screw



Item number

16.703.00..S000

Product description

Push plate S 703 with security screw
l/w/h: 205/145/25 mm, brushed stainless steel, for concealed cisterns
with small access opening, dual flush, consisting of actuator frame,
push buttons, support bracket and fixing bolts, packed in a box