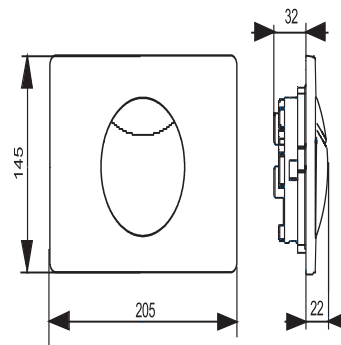
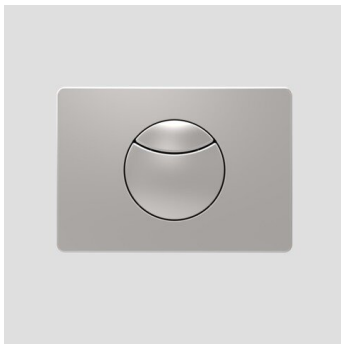


16.703.00..0000

SANIT Push plate S703 stainless steel



Item number

16.703.00..0000

Product description

Push plate S 703

I/w/h: 205/145/25 mm, brushed stainless steel, for concealed cisterns with small access opening, dual flush, consisting of actuator frame, push buttons, support bracket and fixing bolts, packed in a box