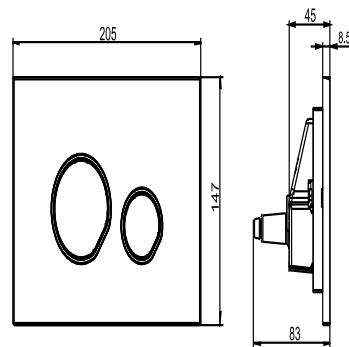
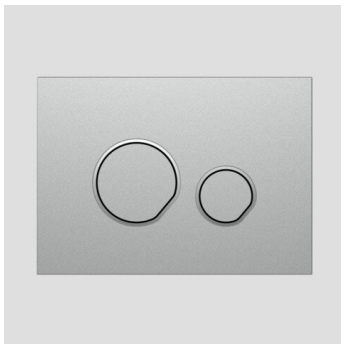


16.770.93..0000

SANIT Push plate INEO CEDO 2C matt chrome



Item number

16.770.93..0000

Product description

Push plate INEO CEDO, matt chrome

l/w/h: 205/147/8.5 mm, plastic, for concealed cisterns with small access opening, dual flush, consisting of push buttons, actuator frame, support bracket and fixing bolts, packed in a box

Note:

For the concealed cisterns CC-120-S, CC-150-S and CC-200-S, an INEO universal flush valve code no. 03.982.00..0000 is required prior to series stand 20.