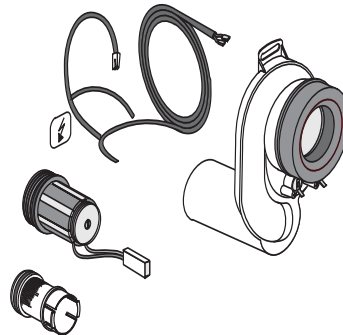


03.696.00..0000

SANIT Urinal finish set RL1 1litre 230V mains



Item number

03.696.00..0000

Product description

Vandal safe urinal technology RL1 for cartridge valve technology, conductivity controlled, bidirectional vandal safe, invisible, contact free, conductively controlled concealed flushing system for urinals, for installation without cover behind ceramic urinals or for installation with a cover plate (code no. 16.076.00..0000) above urinal pan, suitable for ceramic urinals from various manufacturers with horizontal outlet and without incorporated trap, based on the principle of relative and absolute conductivity via 2 stainless steel sensors in the urinal exhaust trap, minimum urine collection approx. 10 ml, independent of water quality, intrinsically safe against drying up of the trap, retrofitting of manual or infrared to vandal safe RL1 technology possible, can be used with the universal cartridge roughing-in set, no corrosion of electrodes because of changing polarity, with closing function with decreasing operation voltage, optical signal when operating voltage is too low, plug contacts are fail-safe Flow pressure: 0.5-8 bar, ideally 3-4 bar Flow rate: 0.24 l/sec. Power supply: 6V DC CE certified Factory setting: Sensitivity: 10 (adjustable between max. 10-min. 1) Main flush: approx. 4 sec. (adjustable between 3-24 sec.) Hygiene period/hygienic flush: 12 h after last use (adjustable between 1,3,6,12,24,48,72,96,108 h) Hygienic flush time: 5 sec. (adjustable between 5,10,15,30,60,90,120,150,180 sec.) Main flushing time and range can be adjusted via service and maintenance remote control DO-5.1S code no. 03.806.00..0000.

Consisting of: urinal chip RL1 with optical head, solenoid cartridge valve 6V DC, with cartridge filter, urinal exhaust trap 500 DN 50 horizontal outlet with pre-assembled stainless steel electrodes, packed in a box

Power supply: with 230V AC/6V DC power supply unit with 6V DC adapter plug, 600 mm cable Accessories:

- service and maintenance remote control code no. 03.806.00..0000
- cover plate stainless steel code no. 16.076.00..0000