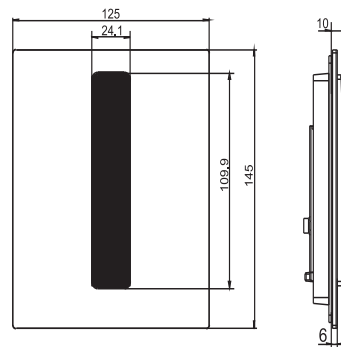


16.094.00..0000

## SANIT Urinal cover plate Ineo Bright infrared stainless steel



Item number	Product description
16.094.00..0000	<p>Urinal cover plate INEO BRIGHT infrared without power supply</p> <p>contact-free flushing system controlled by infrared sensor, hygienic pre-flush for approx. 0.5 seconds if more than 5 minutes have passed since the last use, can be used with universal cartridge roughing-in set, urinals with a lid should not be used in conjunction with infrared controlled urinal flush systems, with closing function with decreasing operation voltage, plug contacts are fail-safe, height/width/depth 145x125x10 mm, minimum distance to opposite wall: 0.9 m</p> <p>Consisting of: cartridge filter, power supply unit 6V DC, mounting frame with infrared module and control electronics, cover plate, including fastenings and mounting instruction, packed in a box</p> <p>Note: power supply has to be ordered separately, see accessories.</p> <p>flow pressure: 0.5-8 bar</p> <p>flow rate: 0.3 l/sec.</p> <p>power supply: 6V DC</p> <p>sensor range: approx. 0.5 m</p> <p>dwelling time: approx. 5 sec.</p> <p>main flush: approx. 4 sec.</p> <p>hygiene period/hygienic flush: 24 h after last use</p> <p>Basic parameters such as user recognition, colour, main flush time and dynamic flush can be adjusted manually. Further user-specific settings can be made via the maintenance and service remote control.</p> <p>Material: brushed stainless steel Accessories: - service and maintenance remote control Code No. 03.806.00..0000 - battery holder code no. 03.109.00..0000) for lithium photo battery CR P 2, code no. 02.993.00..0000 not included - power supply mains, in-series, 230V AC/6V DC with 6V DC adapter plug, 600 mm cable, for 1-5 urinals, (power supply unit code no. 01.254.00..0000, to be ordered separately), data for single connecting cable with in-series installations: max. cable length 10 m with min. cross section of 2x0.75 mm<sup>2</sup>, material: copper, longer cable lengths possible with bigger cross sections</p>