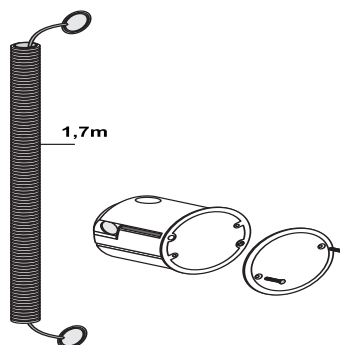
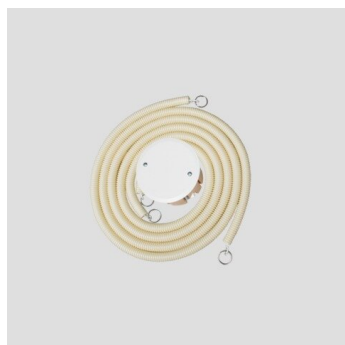


03.933.00..0000

## SANIT Conc. install module WC el 995N disabled



Item number	Product description
03.933.00..0000	Concealed installation module for pre-installation for WC element 995 for disabled people, consisting of: concealed socket for drywall installation (external d:72.5 mm, depth 73 mm, with white plastic cover d:84 mm) and empty pipe 1,7 m long incl. pull cord, packed in a box