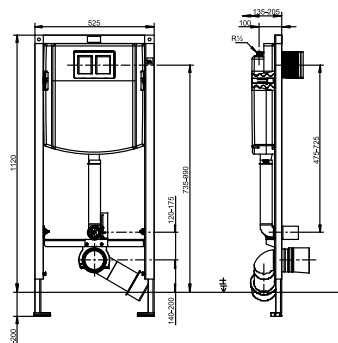
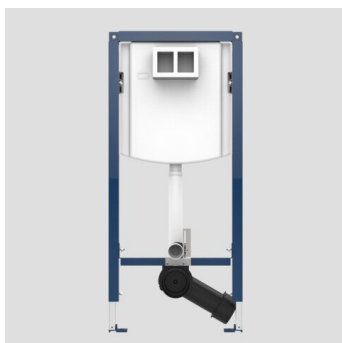


90.735.00..T000

SANIT element INEO PLUS floorstanding WC 1120



Item number

90.735.00..T000

Product description

WC element INEO for floor standing toilet, floor standing toilet for children and toddlers, with small access opening, front operation, h/w/d: 1,120/525/130 mm, self-supporting, powder-coated steel frame, for covering with plasterboard, installation in front of massive wall and in light weight stud wall, 4-point fastening, fully pre-assembled, includes self-locking feet with swivel base plates and fastening set, adjustment range of feet from unfinished floor level to upper edge of finished floor level: 0-200 mm, adjustment range from front to wall: 135-205 mm (when mounted on wall brackets code no. 17.257.00..T000), with back-to-back installation distance between front edges 270-310 mm, flush bend height adjustable, WC waste bend height adjustable, push plate height adjustable by moving the concealed cistern to an appropriate height for children, SANIT concealed cistern (CC-121-S-FO-2V-2C) insulated against condensation water, with dual flush (7.5-4.5 l/4-2 l) and flexible cable technology, factory setting 6 and 3 litres, flush bend protection, SANIT fill valve, Noise Class I, two-piece angle valve connection set R 1/2, waste bend clamp, PE WC bend 90° DN 90 (d:90)/DN 100 (d:110) adjustable in 3 positions, with protection, tiling set for access opening can be shortened, tool-free connection of flexible hose to fill valve, with adjustable flush reducer, mounting instructions, without push plate, packed in a box
 Concealed cistern tested to DIN EN 14055, Noise Class I Accessories: - fastenings (wall brackets, feet, bottom wall bracket) - WC push plate for nursery school - sound-absorbing sets - WC connectors (double bend, offset connection bend, etc.) - Universal WC connection set for childrens floor-standing, white, DN 90 code no. 58.948.00..0099 - plasterboard cladding panel code no. 17.115.00..S000