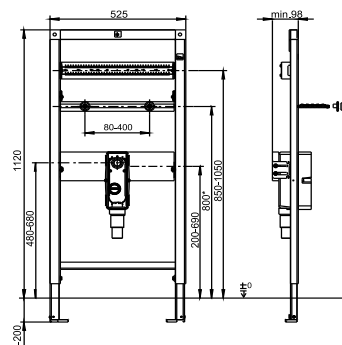
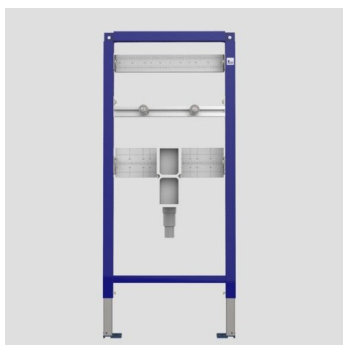


90.673.00..T000

SANIT Wash basin element INEO disabled 1120/525



Item number	Product description
90.673.00..T000	<p>Washbasin element INEO for disabled people for single hole or exposed wall-mounted mixers h/w/d: 1,120/525/98 mm, self-supporting, powder-coated steel frame, for covering with plasterboard, installation onto a solid wall, in drywall constructions etc., 4-point fastening, fully pre-assembled, includes self-locking feet with swivel base plates and fastening set, suits all washbasins, adjustment range of feet from unfinished floor level to upper edge of finished floor level: 0-200 mm, adjustment range front to wall: 135-205 mm (when mounted on wall brackets code no. 17.257.00..T000), with multiply laminated plywood panel and scaling for the free positioning of drinking water pipe wall plates, with SANIT height-adjustable concealed trap code no. 31.608.00..0000 DN 50(d:50)/DN 40(d:40), with 2 M10 bolts for fastening the washbasin including protection plugs and washbasin fastenings, packed in a box</p> <p>Accessories:</p> <ul style="list-style-type: none"> - wall brackets (pair) code no. 17.257.00..T000 - sound-absorbing sets - finishing set - standpipe code no. 03.250.00..0000